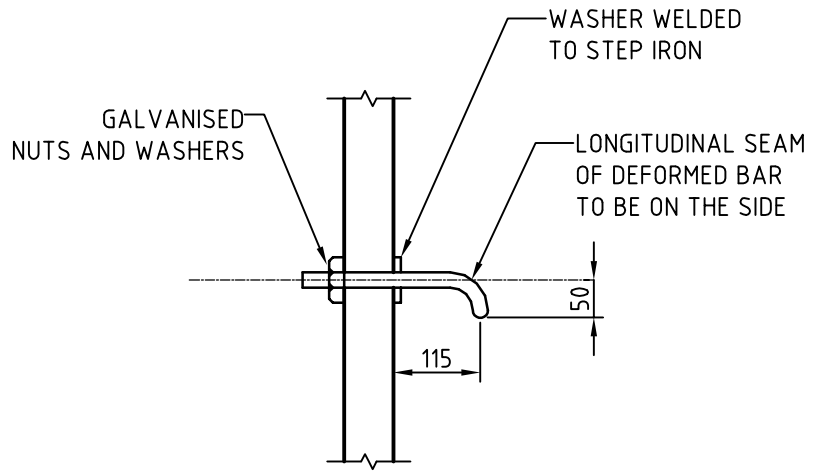


SPACING

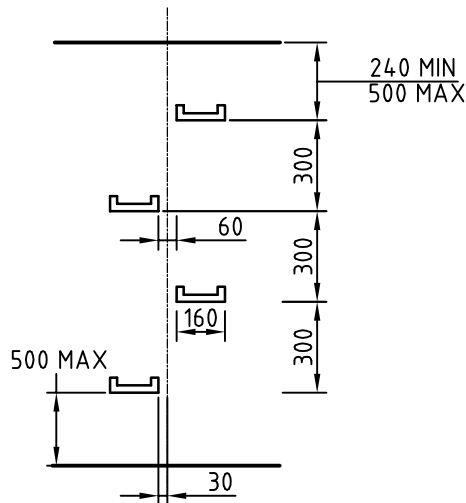
SCALE 1:250



STEP IRON

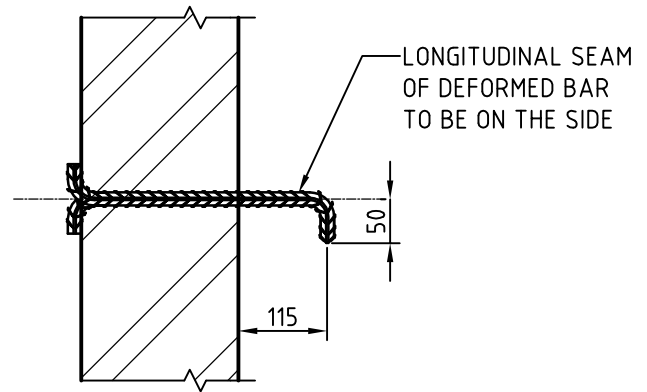
SCALE 1:100

SIDE ENTRY PITS AND PRE-CAST MANHOLES



SPACING

SCALE 1:100



STEP IRON

SCALE 1:100

BRICK MANHOLES

NOTES:

- ALL DRAINAGE STRUCTURES DEEPER THAN 1000mm SHALL BE FITTED WITH STEP IRONS
- STEP IRONS TO BE 24 ϕ HOT DIPPED GALVANISED DEFORMED BARS
- OR
- FOR LINERS WITH PRE-CAST HOLES, PARTIALLY ENCAPSULATED KNOCK-IN STEP IRONS CONFORMING TO AS1657-1992
- OR
- SIMILAR COUNCIL APPROVED STEP IRONS



DEPARTMENT
OF
ENGINEERING SERVICES

TITLE:

STEP IRON DETAILS

DRN: G. LAWRENCE

DATE: 26 JULY 2006

AUTHORISED:

SCALE: AS SHOWN

INIT:

DATE:

DWG NO:

16/30