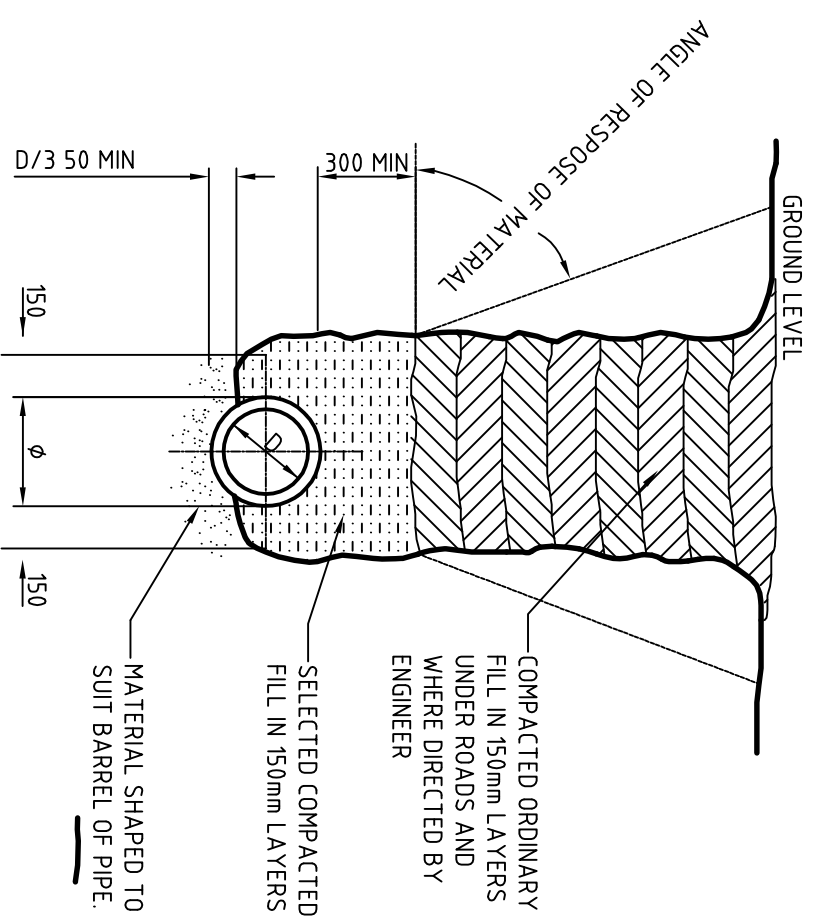
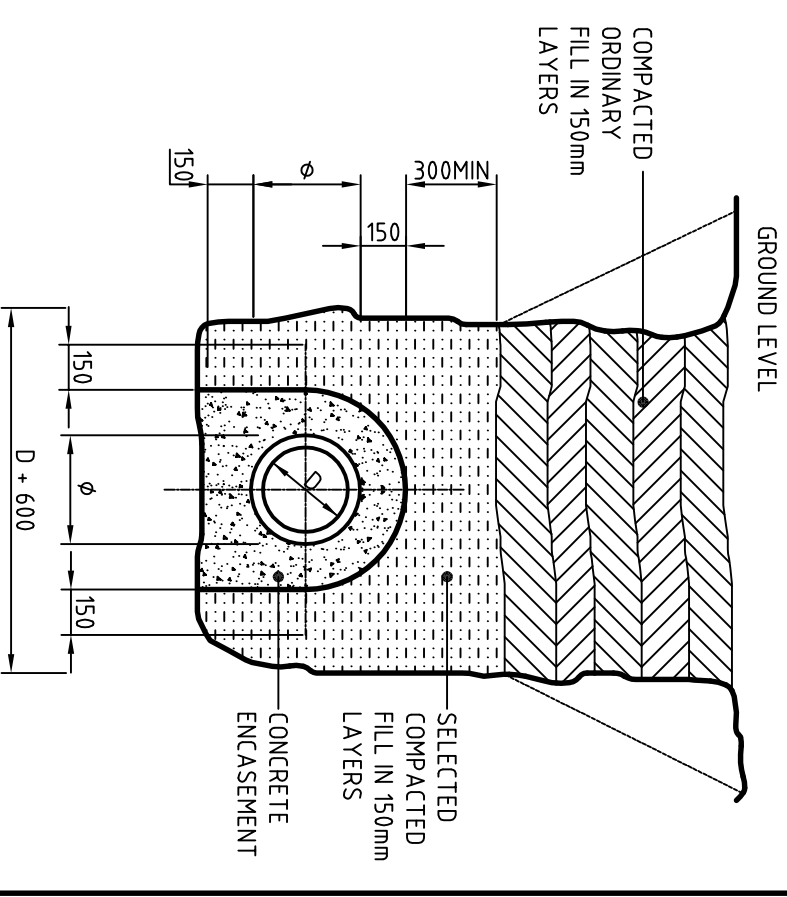


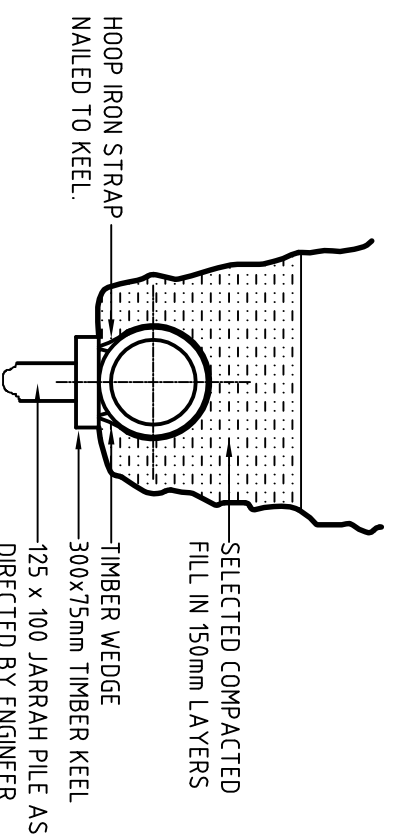
WET GROUND BEDDING



DRY GROUND BEDDING




CONCRETE ENCASEMENT



PILED BEDDING

- NOTES:
1. WET GROUND BEDDING TO BE USED WHEN DIRECTED BY ENGINEER AND WHEN WATER IS ENCOUNTERED IN TRENCHES.
 2. CONCRETE ENCASEMENT TO BE USED WHEN DIRECTED BY ENGINEER.
 3. PILED BEDDING TO BE USED WHERE DIRECTED BY ENGINEER.
 4. ALL MEASUREMENTS ARE IN MILLIMETRES UNLESS NOTED OTHERWISE.

 <p>shire of kalamunda</p> <p>DEPARTMENT OF ENGINEERING SERVICES</p>		TITLE:	PIPE BEDDING DETAILS	
		DRN:	G LAWRENCE	
APPROVED:	DATE:	31/07/2006	SCALE:	SCALE 1:250
INIT:	DATE:		DWG NO:	SHEET 11/30