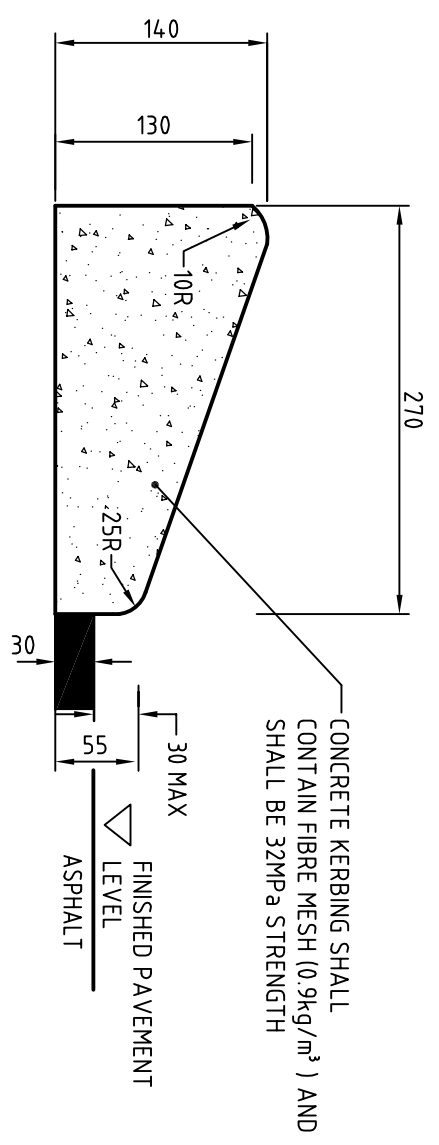


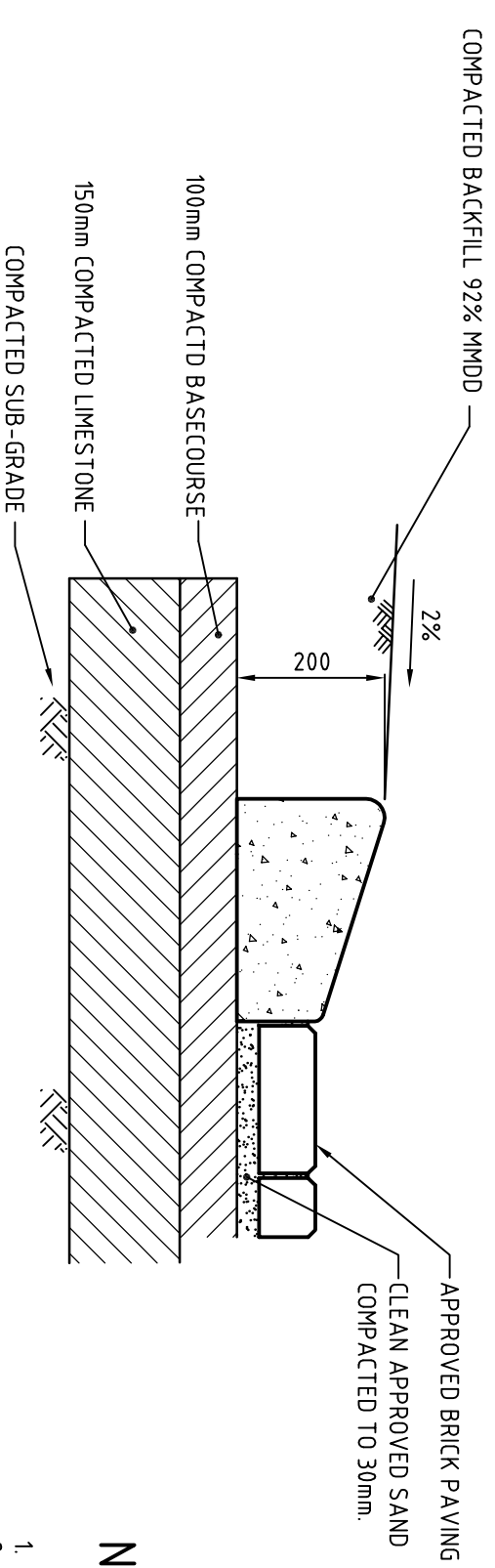
MOUNTABLE KERB DETAIL (KEYED)

SCALE 1:10



STANDARD MOUNTABLE KERB

SCALE 1:5




MOUNTABLE KERB FOR BRICK PAVING

SCALE 1:10

NOTES

1. ASPHALT THICKNESS - 30mm AC10.
2. CONTRACTION JOINTS AT 2.0m CENTRES.
3. EXPANSION JOINTS AT 6.0m CENTRES (TYPE LOCKJOINT ONLY)
4. FOOTPATH JOINTS TO COINCIDE WITH KERB JOINTS.
5. CONCRETE KERBING SHALL CONTAIN FIBRE MESH 0.9kg/m³ AND SHALL BE 32MPa STRENGTH.
6. ALL MEASUREMENTS ARE IN MILLIMETRES UNLESS NOTED OTHERWISE.

 <p>shire of Kalamunda</p> <p>DEPARTMENT OF ENGINEERING SERVICES</p>	<p>TITLE:</p> <p>MOUNTABLE KERB DETAIL</p>	
	<p>DRN: G LAWRENCE</p> <p>APPROVED:</p>	<p>DATE: 31/07/2006</p> <p>SCALE: AS SHOWN</p>
<p>INIT: _____</p> <p>DATE: _____</p>	<p>DWG NO: SHEET 7B/30</p>	