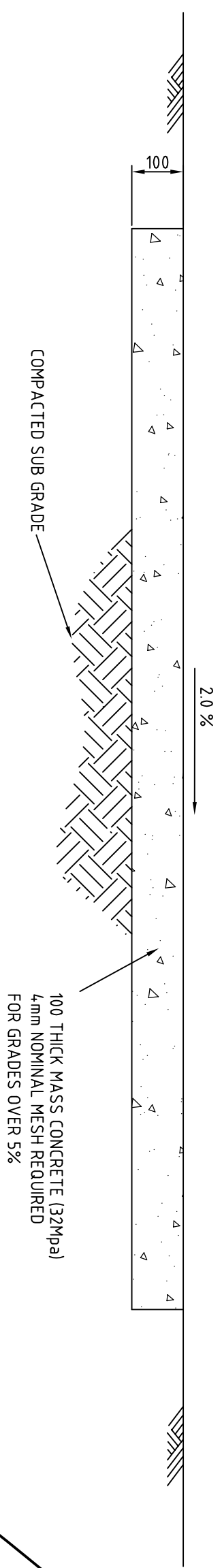
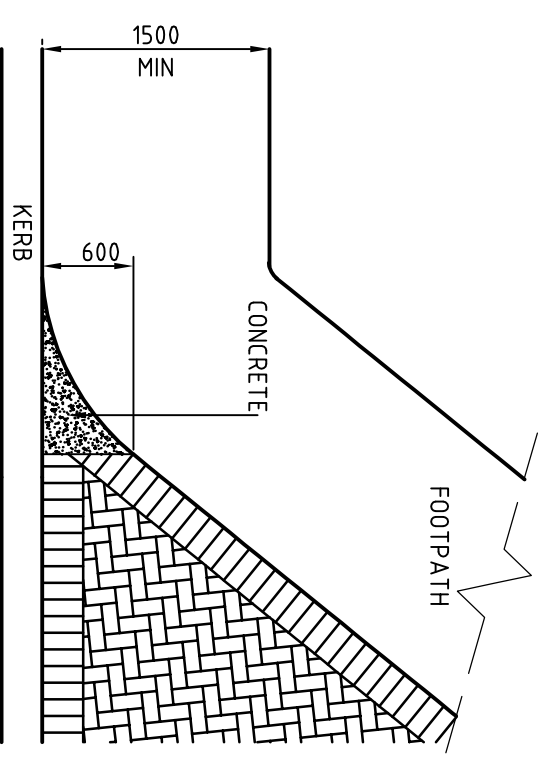


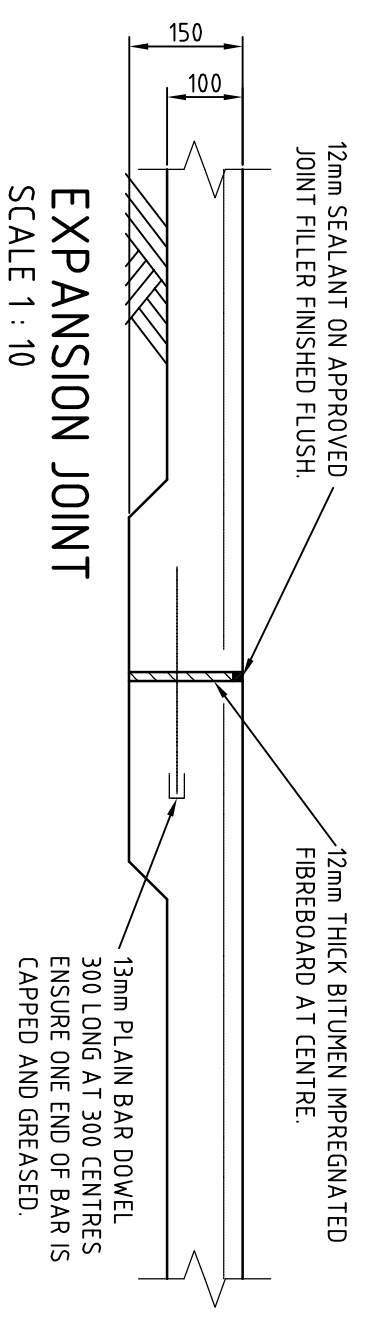
SYMBOLIC FOOTPATH PLAN  
N.T.S.



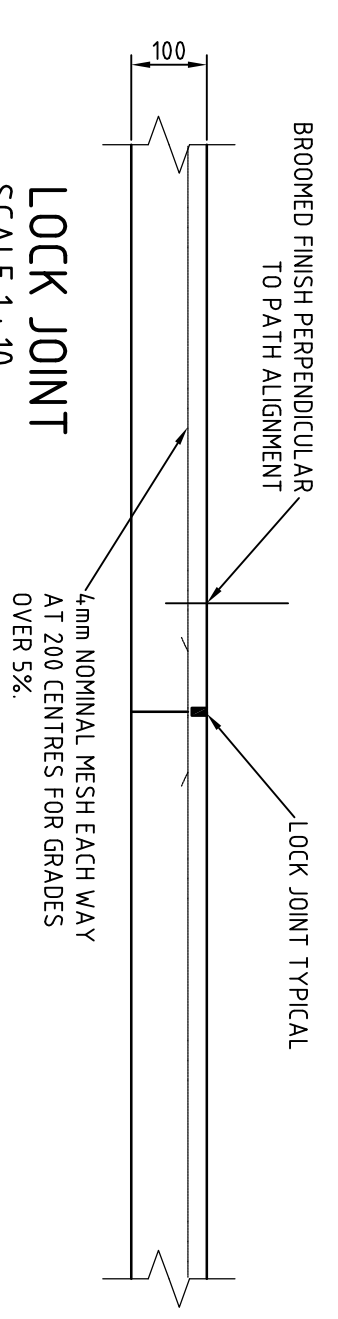
TYPICAL FOOTPATH DETAIL  
SCALE 1 : 10



TYPICAL FOOTPATH DETAIL  
SCALE 1 : 200




EXPANSION JOINT  
SCALE 1 : 10



LOCK JOINT  
SCALE 1 : 10

- NOTES:**
1. LOCK JOINTS TO BE PLACED AT 6m INTERVALS.
  2. EXPANSION JOINTS TO BE PLACED AT ALL TANGENT POINTS, AT ALL END OF DAY WORKS JOINTS AND AROUND PRAM RAMPS WHERE WORKS JOIN.
  3. ALL JOINTS TO MATCH KERB JOINTS.
  4. CONCRETE TO BE GRADE 32 MPa.
  5. ALL MEASUREMENTS ARE IN MILLIMETRES UNLESS NOTED OTHERWISE.

 <p><b>shire of kalamunda</b> DEPARTMENT OF ENGINEERING SERVICES</p>		<p>TITLE: <b>FOOTPATH DETAIL</b></p>	
DRN: <b>G LAWRENCE</b>	DATE: <b>31/07/2006</b>		
APPROVED:	SCALE: <b>AS SHOWN</b>		
INTI:	DATE:		
		<p>DWG NO: <b>SHEET 4/30</b></p>	