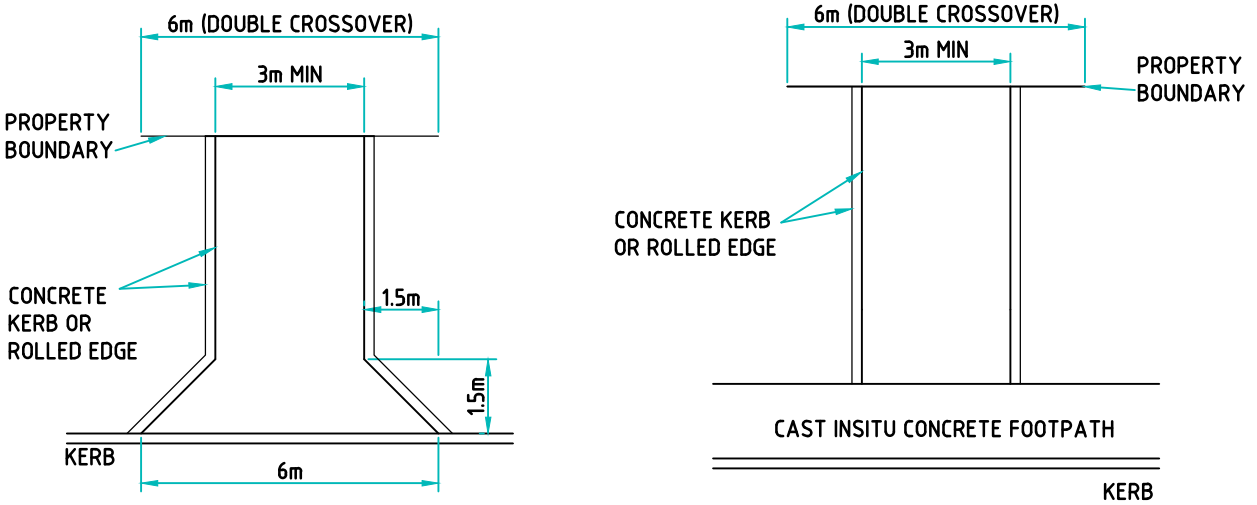
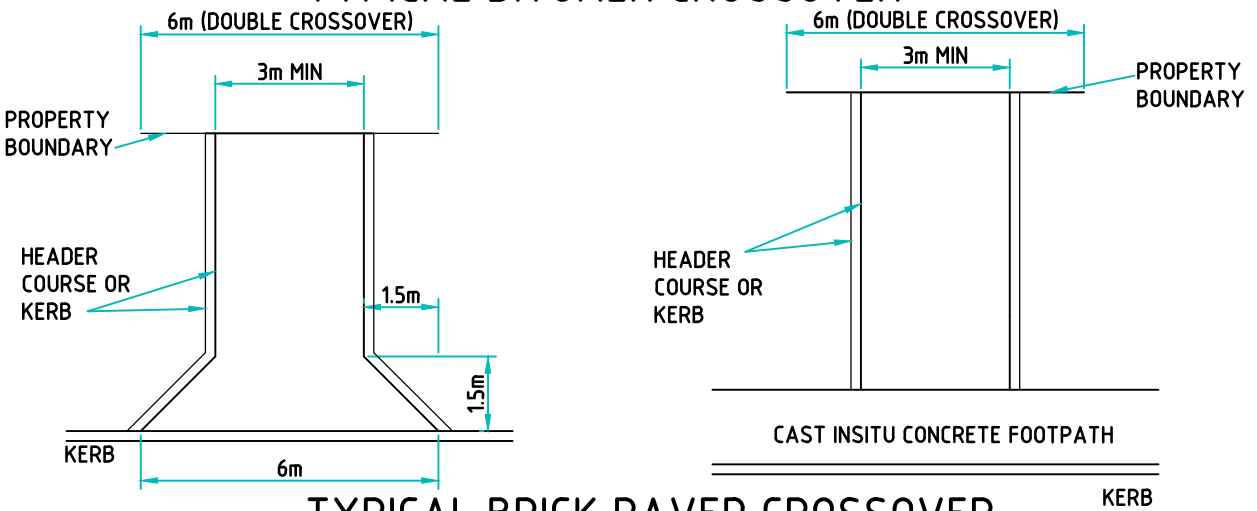


TYPICAL CONCRETE CROSSOVER



TYPICAL BITUMEN CROSSOVER



TYPICAL BRICK PAVED CROSSOVER



**shire of
kalamunda**

DEPARTMENT
OF
ENGINEERING SERVICES

TITLE:
**TYPICAL CROSSOVERS
PLAN VIEW**

DRN: **G LAWRENCE**

DATE: **20/03/2007**

AUTHORISED:

SCALE: **NOT TO SCALE**

INIT:

DATE:

DWG NO:

1/3